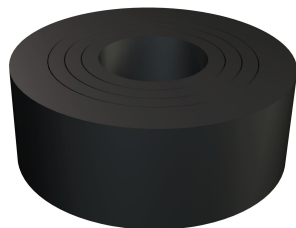


Technical data sheet

Cutting ring

Item number: 2029367



Rubber cutting ring (cuttable sealing ring) to DIN 46320 for cone cable gland.



NBR
SBR Rubber mixture

Master data

Item number	2029367
Description 1	Cutting ring
Manufacturer	OBO
Dimension	PG36
Colour	Black
Material	Rubber mixture
Smallest sales unit	50
Unit of quantity	Piece
Weight	1.733 kg
Weight unit	kg/100 pc.

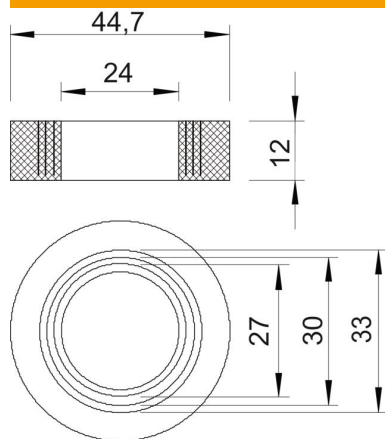
Technical data sheet

Cutting ring

Item number: 2029367



Dimensions



Dimension D1	24 mm
Dimension D2	44.7 mm
Dimension D3	27 mm
Dimension D4	30 mm
Dimension D5	33 mm
Dimension H	12 mm

Technical data

Sealing area D, max.	33 mm
Sealing area D, min.	24 mm
Size	Pg 36
Size	M40