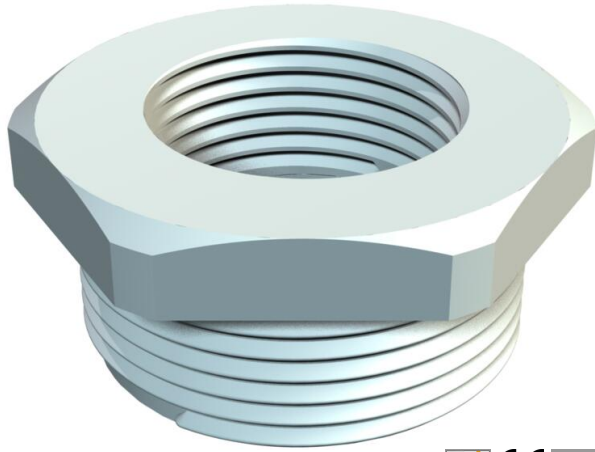


Technical data sheet

Reduction, PG thread

Item number: 2030772



Reduction with PG internal and external thread to DIN 40430 for mounting plastic cable glands on enclosures. Protection class IP54 without additional connecting seal. Protection class up to IP68 possible with additional connecting seal, e.g. O-ring or flat sealing ring.



PA Polyamide

Master data

Item number	2030772
Description 1	Reduction
Manufacturer	OBO
Dimension	PG21-PG13,5
Colour	Light grey; RAL 7035
Material	Polyamide
Smallest sales unit	50
Unit of quantity	Piece
Weight	0.8 kg
Weight unit	kg/100 pc.

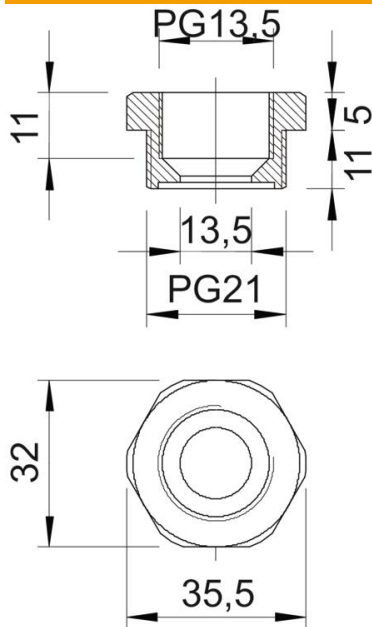
Technical data sheet

Reduction, PG thread

Item number: 2030772



Dimensions



Dimension D	13.5 mm
Dimension E	35.5 mm
Dimension L1	11 mm
Dimension L2	5 mm
Dimension L3	11 mm

Technical data

explosion-proof	no
Thread type: External thread	PG
Thread type: Internal thread	PG
Thread length	11 mm
Thread dimension, PG, external	21
Thread dimension, PG, internal	13.5
Halogen-free	yes
WAF	32
Nickel-plated	no