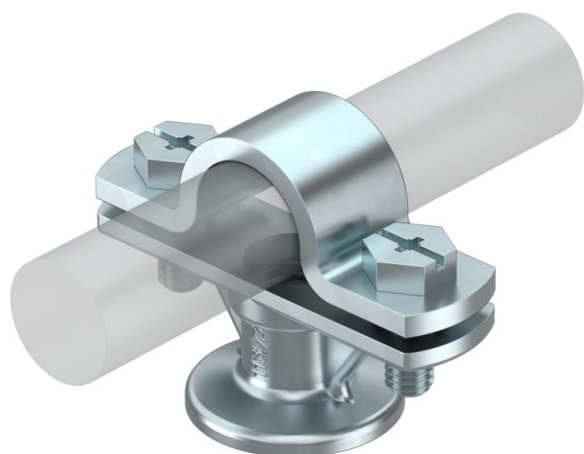


Technical data sheet

Rod holder, 16 mm

Item number: 5412609



- For air-termination and earth entry rods Rd 16
- Installed with crossbar and hexagonal bolts M6 x 16
- With female thread M8 or through hole \varnothing 7 mm

Zn	Die-cast zinc
VZ	galvanised

Master data

Item number	5412609
Description 1	Rod holder
Manufacturer	OBO
Dimension	16mm
Material	Die-cast zinc
Surface	galvanised
Surface standard	
Smallest sales unit	10
Unit of quantity	Piece
Weight	6 kg
Weight unit	kg/100 pc.

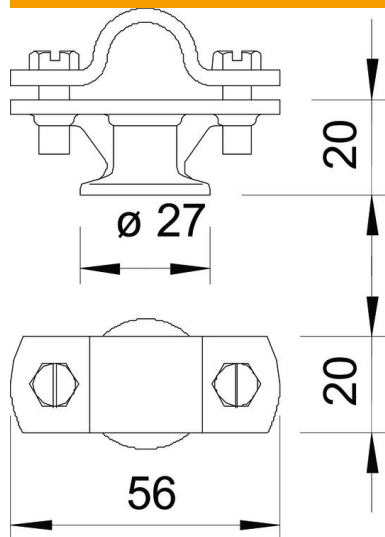
Technical data sheet

Rod holder, 16 mm

Item number: 5412609



Dimensions



Technical data

Holder fastening type	Drill hole with M thread
Rod fastening type	With screw clip
Thread metric	8
Fit	Rd 16 mm
Material of the holder	Die-cast zinc
Material of the base	Die-cast zinc
Material of the crossbar	Die-cast zinc