

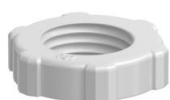
# Technical data sheet

Locknut, PG thread, light grey

Item number: 2048078



Locknut DIN 46320, with PG thread DIN 40430.



PA Polyamide

## Master data

Item number	2048078
Type	116 VDE PG7 PA
Description 1	Locknut
Manufacturer	OBO
Dimension	PG7
Colour	Light grey; RAL 7035
Material	Polyamide
Smallest sales unit	100
Unit of quantity	Piece
Weight	0.093 kg
Weight unit	kg/100 pc.

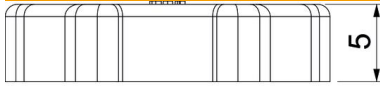
# Technical data sheet

Locknut, PG thread, light grey

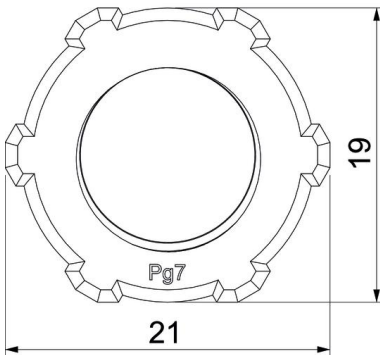
Item number: 2048078



## Dimensions



Dimension E	21 mm
Dimension L	5 mm



## Technical data

Thread	Pg_7
Thread type	PG
Nominal thread size metric/PG	7
Fibre-glass reinforced	no
Halogen-free	yes
Impact-resistant	no
WAF	19