

# Technical data sheet

## Pipe end cap, splittable, metric, light grey

Item number: 2047855



Separable pipe end cap to slot onto metric electrical installation pipes. The separable pipe end cap can be used for repairs on existing installations according to regulations. It is not necessary to disconnect the cables, allowing quick mounting.



**PE** Polyethylene

### Master data

Item number	2047855
Type	129 TB M32
Description 1	Pipe end sleeve, separable
Description 2	metric
Manufacturer	OBO
Dimension	M32
Colour	Light grey; RAL 7035
Material	Polyethylene
Smallest sales unit	50
Unit of quantity	Piece
Weight	0.656 kg
Weight unit	kg/100 pc.

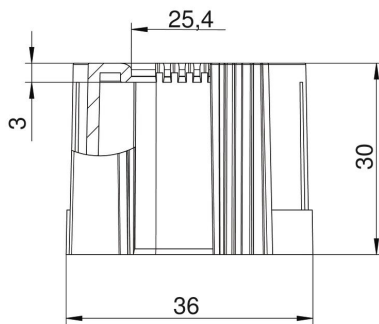
# Technical data sheet

Pipe end cap, splittable, metric, light grey

Item number: 2047855



## Dimensions



Dimension D1	36 mm
Dimension D2	25.4 mm
Dimension L1	30 mm
Dimension L2	3 mm

## Technical data

Version for pipe diameter	Connector
Size	32 mm
Halogen-free	M32
Brushed surface	yes
Polished surface	no