

Technical data sheet

Roof conductor holder, suitable for direct bonding

Item number: 5218810



- With conductor holder and bottom section, hot-dip galvanised steel
- Bottom section Ø 100 mm

St Steel

FT Hot-dip galvanised

Master data

Item number	5218810
Type	165 B 60
Description 1	Roof conductor holder
Description 2	for flat roofs
Manufacturer	OBO
Dimension	60mm
Material	Steel
Surface	Hot-dip galvanised
Surface standard	DIN EN ISO 1461
Smallest sales unit	50
Unit of quantity	Piece
Weight	26.1 kg
Weight unit	kg/100 pc.

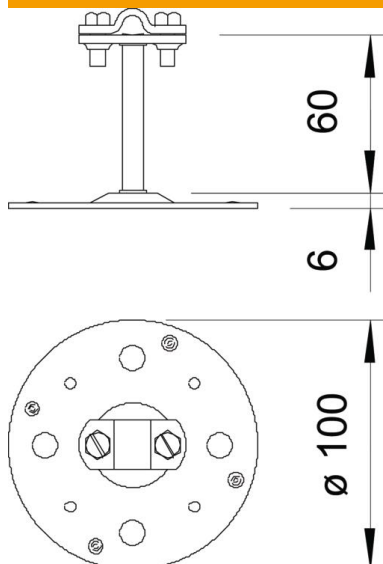
Technical data sheet

Roof conductor holder, suitable for direct bonding

Item number: 5218810



Dimensions



Length	100 mm
Dimension H	60 mm

Technical data

Application	Flat roof
Conductor fastening type	With screw clip
Conductor diameter, max.	10
Conductor diameter, min.	8
Mounting type	Adhesive
Mounting height	60 mm
Fit	Rd 8-10 mm
Material of the holder	Steel, hot galvanised
Material of the support	Steel, hot galvanised