

Technical data sheet

165 MBG... roof cable holder for flat roofs, black, with concrete

Item number: 5218704



- Closed form with base
- With double conductor holder
- Filling weight 1 kg (frost-resistant concrete)
- Sleeve made of polyethylene, black, UV-resistant and weather-resistant
- Base made of polyamide PA 6, black, UV-resistant and weather-resistant
- Base can be used on almost all roofing felt systems (bitumen, PVC)
- Types 165 MBG...FO: Packed in foil bag

PA/PE Polyamide/Polyethylene

Master data

Item number	5218704
Type	165 MBG-8-10 FO
Description 1	Roof conductor holder
Description 2	for flat roofs
Manufacturer	OBO
Dimension	8-10mm
Colour	Black
Material	Polyamide/Polyethylene
Smallest sales unit	12
Unit of quantity	Piece
Weight	100 kg
Weight unit	kg/100 pc.

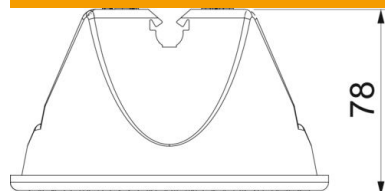
Technical data sheet

165 MBG... roof cable holder for flat roofs, black, with concrete

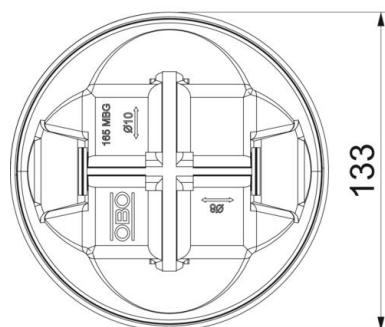
Item number: 5218704



Dimensions



Length 133.5 mm



Technical data

Application	Flat roof
Conductor fastening type	With clip
Conductor diameter, max.	10
Conductor diameter, min.	8
Mounting type	Miscellaneous
Fit	Rd 8-10 mm
Clamping range D, max.	10 mm
Clamping range D, min.	8 mm
Material of the holder	Plastic
Material of the support	Concrete