

Technical data sheet

Reduction, PG thread

Item number: 2089424



Reduction (Part H) to DIN 46320, with Pg thread to DIN 40430, as a transition from a PG thread hole to a smaller cable gland.

* Prices according to DEL notation.

CE Pg

CuZn
37 Brass

N Nickel-plated

Master data

Item number	2089424
Type	167 R MS PG48-36
Description 1	Reduction
Manufacturer	OBO
Dimension	PG48-PG36
Material	Brass
Surface	Nickel-plated
Surface standard	
Smallest sales unit	25
Unit of quantity	Piece
Weight	12.84 kg
Weight unit	kg/100 pc.

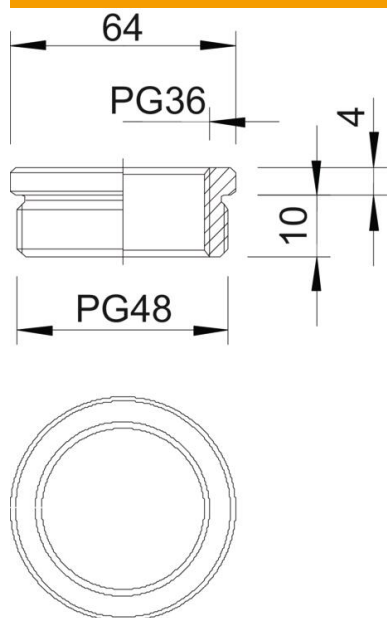
Technical data sheet

Reduction, PG thread

Item number: 2089424



Dimensions



Dimension D	64 mm
Dimension L1	10 mm
Dimension L2	4 mm

Technical data

explosion-proof	no
Thread type: External thread	PG
Thread type: Internal thread	PG
Thread length	10 mm
Thread dimension, PG, external	48
Thread dimension, PG, internal	36
Nickel-plated	yes