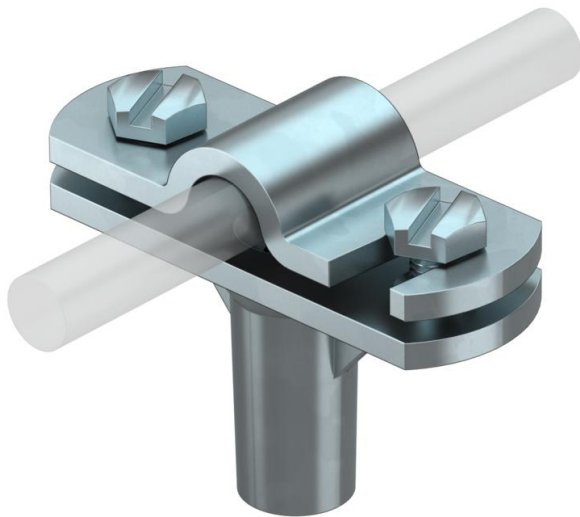


Technical data sheet

Cable bracket Rd 8–10 mm, 30 mm mounting height

Item number: 5229839



- With female thread (G)
- With over-piece and 2 hexagonal bolts
- Installed height 30 mm

Zn Die-cast zinc

G Electrogalvanized

Master data

Item number	5229839
Type	168 DIN-K-M8
Description 1	Cable fixing device
Description 2	for round conductors
Manufacturer	OBO
Dimension	8-10mm
Material	Die-cast zinc
Surface	Electrogalvanized
Surface standard	EN ISO 19598 / EN ISO 4042
Smallest sales unit	20
Unit of quantity	Piece
Weight	7.78 kg
Weight unit	kg/100 pc.

Technical data

Holder fastening type	Drill hole with M-thread
Conductor fastening type	With screw clip
Use in Ex area	yes
Thread	M8
Thread metric	8

Technical data sheet

Cable bracket Rd 8–10 mm, 30 mm mounting height

Item number: 5229839



Technical data

High voltage-resistant, insulated version	no
Cable dimensions	8–10 mm round
Material of the holder	Die-cast zinc
Material of the base	Die-cast zinc
Material of the crossbar	Die-cast zinc