

# Technical data sheet

## Cable bracket for flat conductors

Item number: 5229480



- For flat strap
- With internal thread (G)
- Mounting height 30 mm



- Zn** Die-cast zinc
- G** Electrogalvanized

### Master data

Item number	5229480
Type	168 DIN 30
Description 1	Cable fixing device
Description 2	for flat conductors
Manufacturer	OBO
Dimension	30mm
Material	Die-cast zinc
Surface	Electrogalvanized
Surface standard	EN ISO 19598 / EN ISO 4042
Smallest sales unit	20
Unit of quantity	Piece
Weight	6.57 kg
Weight unit	kg/100 pc.

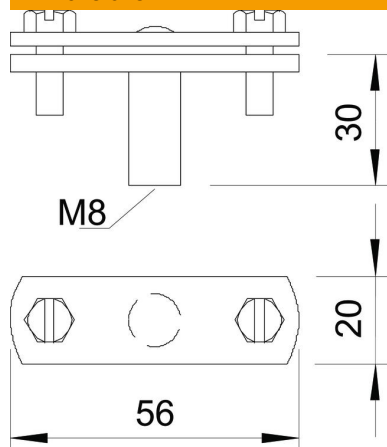
# Technical data sheet

## Cable bracket for flat conductors

Item number: 5229480



### Dimensions



Dimension B	56 mm
Dimension G	M8 mm

### Technical data

Holder fastening type	Drill hole with M-thread
Conductor fastening type	With screw clip
Use in Ex area	yes
Thread	M8
Thread metric	8
High voltage-resistant, insulated version	no
Cable dimensions	30 x 4 mm flat
Material of the holder	Die-cast zinc
Material of the base	Die-cast zinc
Material of the crossbar	Die-cast zinc