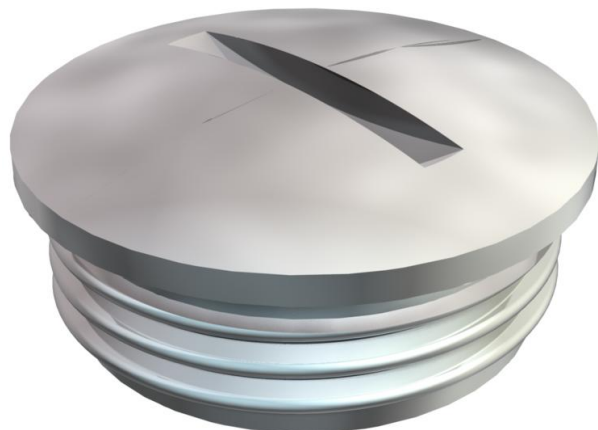


Technical data sheet

Screw plug, metric thread

Item number: 2090554



Screw plug N in accordance with DIN 46320, with metric thread to DIN EN 60423 or ISO 68.

In conjunction with sealing ring, types 107, 170 or 171, protection rating IP68 (5 bar/1 hr).

Sealing ring not contained in the scope of delivery.

* Prices according to DEL notation.



CuZn
37 Brass

N Nickel-plated

Master data

Item number	2090554
Description 1	Screw plug
Manufacturer	OBO
Dimension	M25
Material	Brass
Surface	Nickel-plated
Surface standard	
Smallest sales unit	50
Unit of quantity	Piece
Weight	1.85 kg
Weight unit	kg/100 pc.

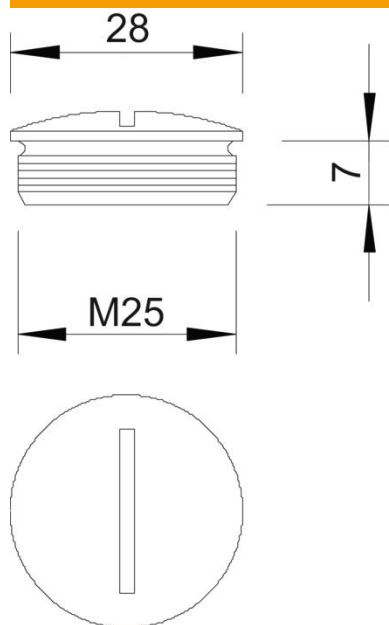
Technical data sheet

Screw plug, metric thread

Item number: 2090554



Dimensions



Length	27 mm
Width	27 mm
Height	11 mm
Dimension D	27 mm
Dimension L	7 mm

Technical data

explosion-proof	no
For Ex zone gas	Without
For Ex zone dust	Without
Thread	M25 x 1,5
Thread type	Metric
Nominal thread size metric/PG	25
Thread increase	1.5 mm
Fibre-glass reinforced	no
Halogen-free	no
Impact-resistant	no
Protection rating	IP68