

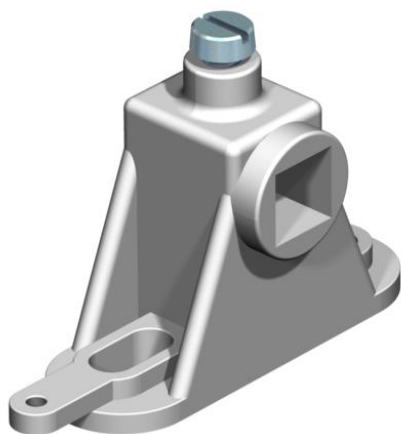
Technical data sheet

Rail stands for 1801 VDE

Item number: 5015715



- 2 rail stands required per 14 units
- With 6 x 13 mm slot



PS Polystyrene

Master data

| | |
|---------------------|--------------------------|
| Item number | 5015715 |
| Type | 1801 SCH |
| Description 1 | Rail stand |
| Description 2 | for equipotential busbar |
| Manufacturer | OBO |
| Dimension | 120x120x53 |
| Colour | Grey |
| Material | Polystyrene |
| Smallest sales unit | 10 |
| Unit of quantity | Piece |
| Weight | 1.5 kg |
| Weight unit | kg/100 pc. |

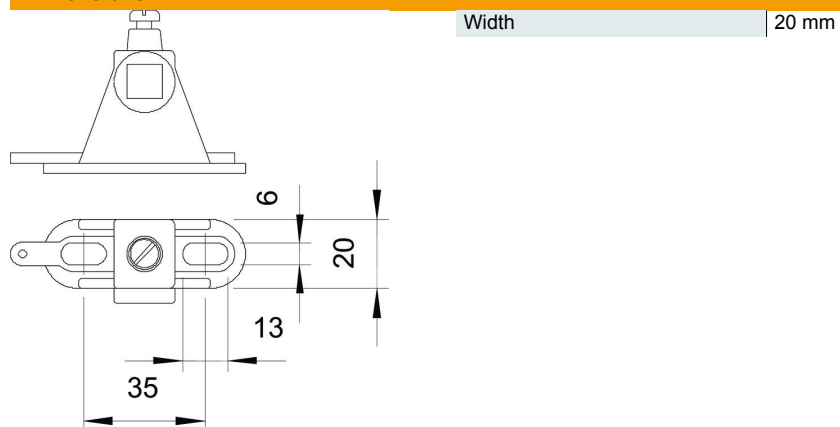
Technical data sheet

Rail stands for 1801 VDE

Item number: 5015715



Dimensions



Technical data

Type of accessory | Rail stand