

# Technical data sheet

Hat profile rail 35 x 7.5 mm

Item number: 1115384



Hat profile rail 35 x 7.5 mm to DIN EN 60715 (formerly DIN EN 50022).



**St** Steel

**FS** Strip galvanized

## Master data

Item number	1115384
Description 1	Top hat rail
Description 2	in extra lengths for T series
Manufacturer	OBO
Dimension	156x35x7,5
Material	Steel
Surface	Strip galvanized
Surface standard	DIN EN 10346
Smallest sales unit	10
Unit of quantity	Piece
Weight	5.52 kg
Weight unit	kg/100 pc.

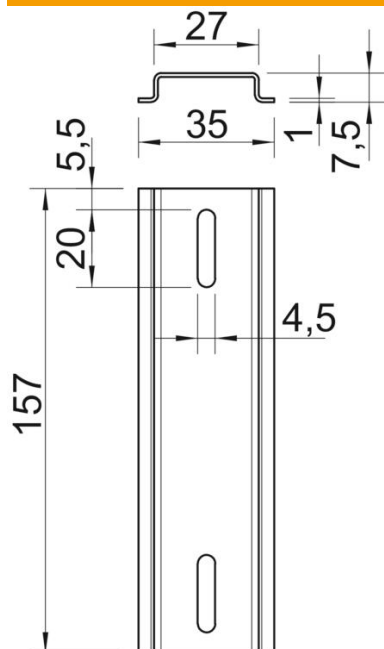
# Technical data sheet

Hat profile rail 35 x 7.5 mm

Item number: 1115384



## Dimensions



Length	157 mm
Width	35 mm
Height	7.5 mm

## Technical data

Version for	For T160 lengthwise +T250, T350 crosswise
Version, rails	Support rail DIN EN 60715
Hole shape (ETIM)	Long slot
Material thickness	1 mm