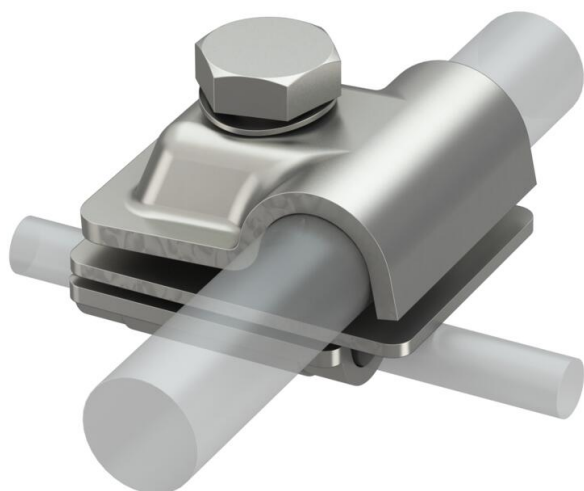


Technical data sheet

Vario quick connector Rd 8-10x16

Item number: 5311590



- For T, cross-over and parallel connections with adapter plates
- Quick mounting using an M10 x 30 bolt, made from rustproof stainless steel
- With sprung washer to DIN 137
- Corresponds to the requirements of VDE 0185-305 (IEC 62305)



A2 Stainless steel

Master data

Item number	5311590
Description 1	Quick connector
Description 2	Vario
Manufacturer	OBO
Dimension	50x40mm
Material	Stainless steel
Smallest sales unit	10
Unit of quantity	Piece
Weight	14.958 kg
Weight unit	kg/100 pc.

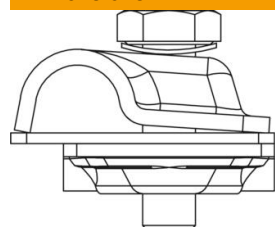
Technical data sheet

Vario quick connector Rd 8-10x16

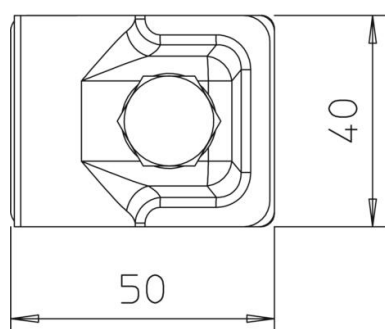
Item number: 5311590



Dimensions



Dimension A 40 mm



Technical data

Type of fastening screw	Hexagonal bolt
Type of connector	Multipurpose connection clamp
Lightning current carrying capacity	H/100 kA
Suitable for connection	Round conductor Rd 8-10 / Rd 16
Short-circuit current (50 Hz)(1 s; $\leq 300^{\circ}\text{C}$)	7.9
Fit	8-10x16 mm
Round conductor diameter, conductor 1, max.	10 mm
Round conductor diameter, conductor 1, min.	8 mm
Round conductor diameter, conductor 2, max.	16 mm
Round conductor diameter, conductor 2, min.	0 mm
Intermediate plate	no