

# Technical data sheet

## Fastening clip 605, medium duty, G

Item number: 1018124



Two lobe fastening clips for cables and pipes.  
\* Sizes 7 to 12 not suitable for bolt-firing tool.



**St** Steel

**G** Electrogalvanized

### Master data

Item number	1018124
Type	605 12 G
Description 1	Fastening clip
Description 2	two lobe
Manufacturer	OBO
Dimension	12mm
Material	Steel
Surface	Electrogalvanized
Surface standard	EN ISO 19598 / EN ISO 4042
Smallest sales unit	100
Unit of quantity	Piece
Weight	0.485 kg
Weight unit	kg/100 pc.

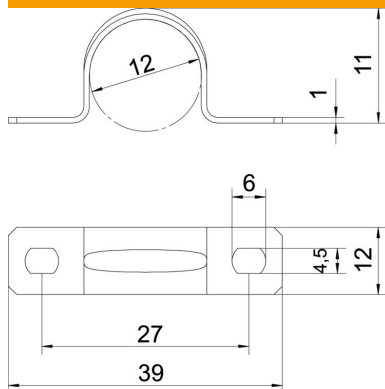
# Technical data sheet

## Fastening clip 605, medium duty, G

Item number: 1018124



### Dimensions



Length	39 mm
Width	12 mm
Height	11 mm
Dimension A	39 mm
Dimension B	27 mm
Dimension b	12 mm
Dimension D	12 mm
Dimension d	4.5 mm
Dimension e	6 mm
Dimension H	11 mm
Dimension t	1 mm

### Technical data

Distance to the wall	no
Number of cables/pipes	1
Version for	Two-lobe
Fastening type	Screw hole
For diameter	12
Suitable in fire protection area	no
Halogen-free	yes
Plastic-covered	no
Hole size	4,5 x 6 mm
Material thickness	1 mm
Nominal diameter	12 mm
UV-resistant	yes