

# Technical data sheet

Spacer for flat conductor, with steel spreading anchor Ø 10

Item number: 5028043



- Fit: FL 30 and FL 40
- With steel straddling dowel Ø 10 mm, spacer and 2 cylinder bolts M5 x 14 (G)

|           |                   |
|-----------|-------------------|
| <b>St</b> | Steel             |
| <b>G</b>  | Electrogalvanized |

## Master data

|                     |                            |
|---------------------|----------------------------|
| Item number         | 5028043                    |
| Type                | 710 40                     |
| Description 1       | Spacer                     |
| Description 2       | for earth conductor        |
| Manufacturer        | OBO                        |
| Dimension           | 40mm                       |
| Material            | Steel                      |
| Surface             | Electrogalvanized          |
| Surface standard    | EN ISO 19598 / EN ISO 4042 |
| Smallest sales unit | 25                         |
| Unit of quantity    | Piece                      |
| Weight              | 5.36 kg                    |
| Weight unit         | kg/100 pc.                 |

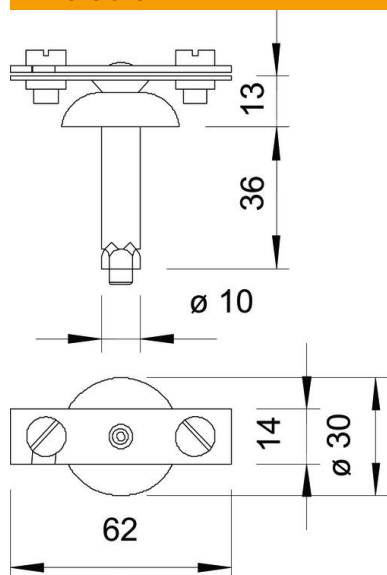
# Technical data sheet

Spacer for flat conductor, with steel spreading anchor  $\varnothing 10$

Item number: 5028043



## Dimensions



|             |       |
|-------------|-------|
| Dimension B | 62 mm |
|-------------|-------|

## Technical data

|                   |              |
|-------------------|--------------|
| Type of accessory | Spacer       |
| Fit               | max. FL40 mm |