

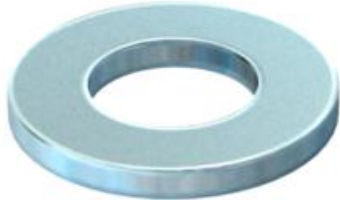
Technical data sheet

Washer F

Item number: 3402460



Washer for universal use.



St Steel

F Hot galvanized

Master data

Item number	3402460
Type	966 M10 F
Description 1	Washer
Description 2	to DIN 125/A
Manufacturer	OBO
Dimension	M10
Material	Steel
Surface	Hot galvanized
Surface standard	DIN 267, Teil 10
Smallest sales unit	100
Unit of quantity	Piece
Weight	0.327 kg
Weight unit	kg/100 pc.

Dimensions

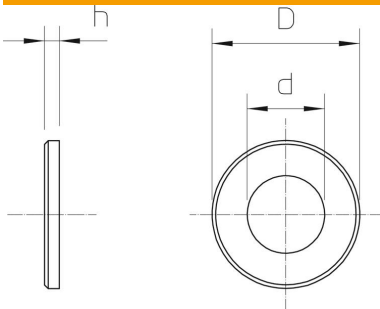


Plate thickness	0.08 in
Dimension D	0.79 in
Dimension d	0.43 in
Dimension d	11 mm
Dimension d max.	20 mm
Dimension d min.	20 mm
Dimension h	2 mm

Technical data

Thread	M10
Inner diameter	10.5 mm
Hole diameter	10.5 mm
Material thickness	2 mm

Technical data sheet

Washer F

Item number: 3402460



Technical data

Hole shape

Round