

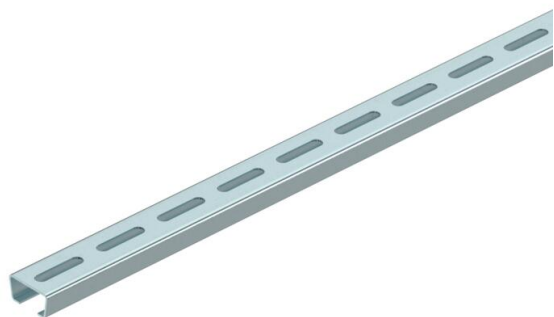
Technical data sheet

Anchor rail AML3518, slot width 16.5 mm, FS, perforated

Item number: 1119648



Central C profile rail for cable routing, in conjunction with clamp clips with a hammerhead foot. Can also be used as suspension construction for cable support systems.



St Steel

FS Strip galvanized

Master data

Item number	1119648
Type	AML3518P2000FS
Description 1	Profile rail
Description 2	perforated, slot 16.5mm
Manufacturer	OBO
Dimension	2000x35x18
Material	Steel
Surface	Strip galvanized
Surface standard	DIN EN 10346
Smallest sales unit	2
Unit of quantity	Metre
Weight	82.5 kg
Weight unit	kg/100 m

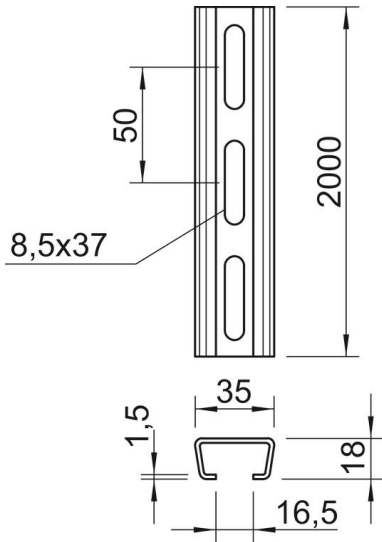
Technical data sheet

Anchor rail AML3518, slot width 16.5 mm, FS, perforated

Item number: 1119648



Dimensions



Length	2,000 mm
Width	35 mm
Height	18 mm
Dimension L	2,000 mm

Technical data

Breakable	no
Type of perforation	Perforated back
Version for	Single profile
Drill hole spacing, centre	50 mm
Bundle	20 m
Maintain electrical functions	no
Material thickness	1.5 mm
With perforation	yes
With tothing	no
Profile shape	C profile
Slot width	16.5 mm
Static value A	1.01 cm ²
Static value I _y	0.44 cm
Static value I _z	1.84 cm
Static value W _y	0.42 cm ²
Static value W _z	1.05 cm ²