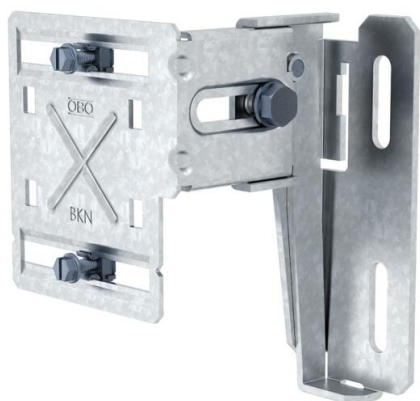


# Technical data sheet

## Fastening panels

Item number: 6288001



Fastening panel for mounting device installation trunking on skirting board constructions and as a support for the convection grid. The fastening panel can be used for all Rapid 80 device installation trunking systems of type GK and GA. When mounting plastic GK device installation trunking, the matching wall panel adapter is also required. The connection profile is required for mounting double trunking of type GS-D70170 and GS-D90170, as well as for GS trunking with a nominal width of 210 mm.

The mesh slats are simply attached to the slat holder.



**St** Steel

**FS** Strip galvanized

### Master data

|                     |                  |
|---------------------|------------------|
| Item number         | 6288001          |
| Description 1       | Fixing panel     |
| Description 2       | depth 53-83      |
| Manufacturer        | OBO              |
| Dimension           | 140x128x83       |
| Material            | Steel            |
| Surface             | Strip galvanized |
| Surface standard    | DIN EN 10346     |
| Smallest sales unit | 1                |
| Unit of quantity    | Piece            |
| Weight              | 50 kg            |
| Weight unit         | kg/100 pc.       |

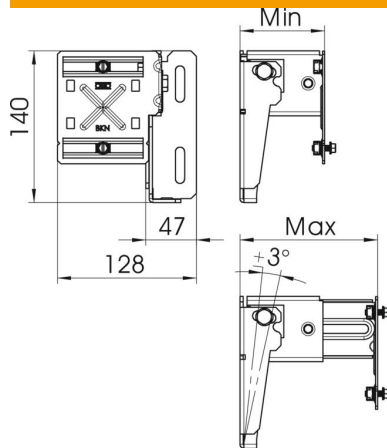
# Technical data sheet

## Fastening panels

Item number: 6288001



### Dimensions



|        |        |
|--------|--------|
| Length | 83 mm  |
| Width  | 128 mm |
| Height | 140 mm |

### Technical data

|                         |               |
|-------------------------|---------------|
| Version for             | 53–83 mm      |
| Version for             | Wall mounting |
| Fastening type          | Screw-on      |
| Trunking mounting       | Screw         |
| Spacing from wall, max. | 83 mm         |
| Spacing from wall, min. | 53 mm         |