

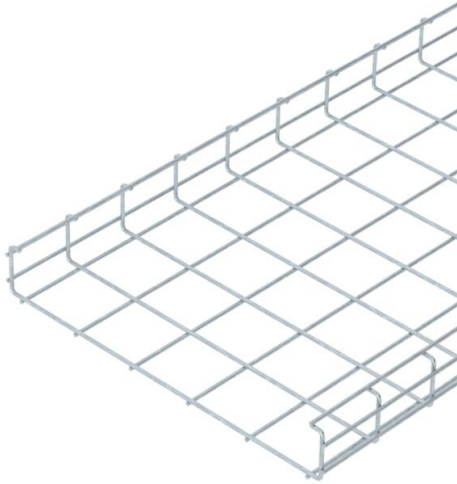
Technical data sheet

C mesh cable tray CGR 50 FT

Item number: 6017460



C-shaped mesh cable tray made of spot-welded steel wire of side height 50 mm.
Magnetic shield insulation 15 dB.



St Steel

FT Hot-dip galvanised

Master data

Item number	6017460
Type	CGR 50 400 FT
Description 1	C-mesh cable tray
Manufacturer	OBO
Dimension	50x400x3000
Material	Steel
Surface	Hot-dip galvanised
Surface standard	DIN EN ISO 1461
Smallest sales unit	3
Unit of quantity	Metre
Weight	232.334 kg
Weight unit	kg/100 m

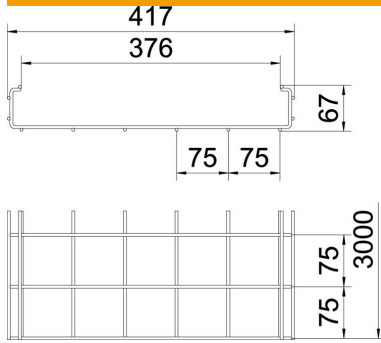
Technical data sheet

C mesh cable tray CGR 50 FT

Item number: 6017460



Dimensions



Length	3,000 mm
Width	400 mm
Width	15.75 in
Height	50 mm
Height	1.97 in
Dimension A	376 mm
Dimension B	417 mm
Dimension H	67 mm
Dimension I1	75 mm
Dimension L2 (mm)	75 mm

Technical data

Connector version	Without connectors
Mounting system fastening type	Floor Ceiling Wall
Maintain electrical functions	no
Integrated partition	Without
Usable cross-section	157 cm ²
Usable cross-section	15700 mm ²
Profile shape	C-shaped
Rustproof steel, pickled	no
Wide-span version	no
Load test type according to IEC 61537	Type II
Type of connector, cable support system	Screwed

Loads

Insertable support spacings, min.	1 m
Insertable support spacings, max.	2 m
Support spacing 1.0 m	1.1 kN/m
Support spacing 1.5 m	0.7 kN/m
Support spacing 2.0 m	0.4 kN/m