

# Technical data sheet

CM3015 profile rail, slot 16 mm, FT, perforated

Item number: 1109790



Profile rail, perforated, slot width 16 mm.



- St** Steel
- FT** Hot-dip galvanised

## Master data

Item number	1109790
Type	CM3015P0300FT
Description 1	Profile rail
Description 2	perforated, slot 16mm
Manufacturer	OBO
Dimension	300x30x15
Material	Steel
Surface	Hot-dip galvanised
Surface standard	DIN EN ISO 1461
Smallest sales unit	25
Unit of quantity	Piece
Weight	22 kg
Weight unit	kg/100 pc.

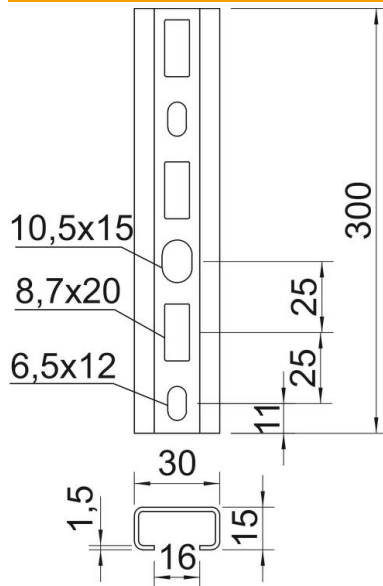
# Technical data sheet

CM3015 profile rail, slot 16 mm, FT, perforated

Item number: 1109790



## Dimensions



Length	300 mm
Width	30 mm
Height	15 mm
Dimension L	300 mm

## Technical data

Breakable	no
Type of perforation	Perforated back
Version for	Single profile
Drill hole spacing, centre	25 mm
Maintain electrical functions	no
Material thickness	1.5 mm
With perforation	yes
With tothing	no
Profile shape	C profile
Slot width	16 mm
Static value A	0.8 cm <sup>2</sup>
Static value I <sub>y</sub>	0.24 cm
Static value I <sub>z</sub>	1.22 cm
Static value W <sub>y</sub>	0.29 cm <sup>2</sup>
Static value W <sub>z</sub>	0.81 cm <sup>2</sup>