

Technical data sheet

Chequer plate cover DBKR FS

Item number: 6049119



Chequer plate cover for the walkable cable tray system, type BKR.

The cover thickness is comprised of 2.0 mm strip-galvanized sheet steel and a 1.3 mm chequer height.

Pre-marked break-out openings at a spacing of 100 mm allow retroinstallation of a turn buckle.

The covers are tested according to DIN 51130 and possess anti-slip class R11 and displacement space class V10.

Cover fastenings are not part of the scope of delivery and can be ordered separately.



St Steel

FS Strip galvanized

Master data

Item number	6049119
Description 1	Chequer plate cover
Description 2	for walkable cable trays
Manufacturer	OBO
Dimension	100x3000
Material	Steel
Surface	Strip galvanized
Surface standard	DIN EN 10346
Smallest sales unit	3
Unit of quantity	Metre
Weight	195.07 kg
Weight unit	kg/100 m

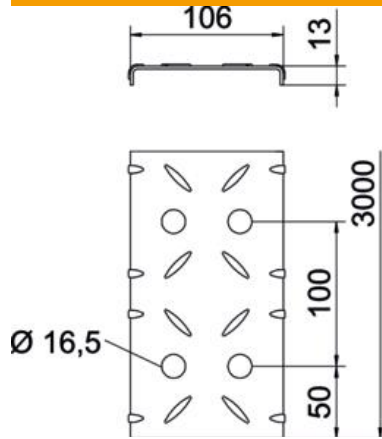
Technical data sheet

Chequer plate cover DBKR FS

Item number: 6049119



Dimensions



Length	3,000 mm
Width	100 mm
Height	13 mm
Plate thickness	3.3 mm
Dimension B	100 mm
Dimension b	50 mm
Dimension L	3,000 mm

Technical data

Number of turn buckles	0 St.
Fastening type	On top
Maintain electrical functions	no
Suitable for mesh cable tray	no
Suitable for cable ladder	no
Suitable for cable tray	yes
Rustproof steel, pickled	no