

# Technical data sheet

## Cover for 90° bend A4

Item number: 7134982



Cover for 90° bend with pre-mounted turn buckles.  
The cover can be used with fittings of all side heights.

The 100 mm width has a rectangular shape and does not correspond to the image.



**A4** Stainless steel

**2B** Bright, treated

### Master data

Item number	7134982
Type	DFB 90 100 A4
Description 1	90° bend cover
Description 2	square, for RB 90 100
Manufacturer	OBO
Dimension	B100mm
Material	Stainless steel
Surface	Bright, treated
Surface standard	
Smallest sales unit	1
Unit of quantity	Piece
Weight	65 kg
Weight unit	kg/100 pc.

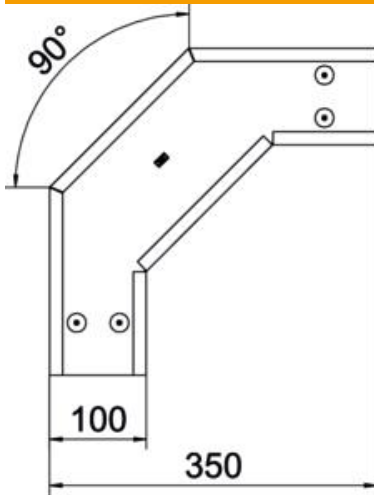
# Technical data sheet

## Cover for 90° bend A4

Item number: 7134982



### Dimensions



Width	100 mm
Width	4 in
Height	35 mm
Plate thickness	0.04 in
Plate thickness	1 mm
Dimension B	100 mm

### Technical data

Bend (angle)	90°
Fastening type	Sash lock
Maintain electrical functions	no
Suitable for mesh cable tray	no
Suitable for cable ladder	yes
Suitable for cable tray	yes
Change of direction	Horizontal
Rustproof steel, pickled	no
Hinged	no