

Technical data sheet

Cover for 90° bend A4

Item number: 7134988



Cover for 90° bend with pre-mounted turn buckles.
The cover can be used with fittings of all side heights.

The 100 mm width has a rectangular shape and does not correspond to the image.



A4 Stainless steel

2B Bright, treated

Master data

| | |
|---------------------|------------------------------|
| Item number | 7134988 |
| Type | DFB 90 200 A4 |
| Description 1 | 90° bend cover |
| Description 2 | with turn-buckles, RB 90 200 |
| Manufacturer | OBO |
| Dimension | B200mm |
| Material | Stainless steel |
| Surface | Bright, treated |
| Surface standard | |
| Smallest sales unit | 1 |
| Unit of quantity | Piece |
| Weight | 60 kg |
| Weight unit | kg/100 pc. |

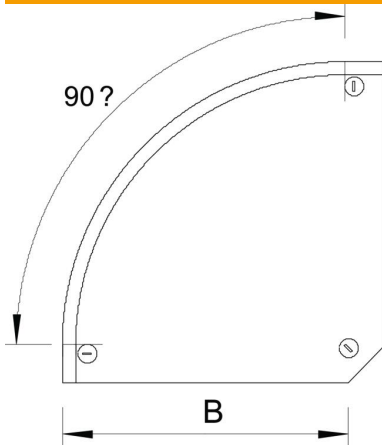
Technical data sheet

Cover for 90° bend A4

Item number: 7134988



Dimensions



| | |
|-----------------|---------|
| Width | 200 mm |
| Width | 8 in |
| Height | 35 mm |
| Plate thickness | 0.04 in |
| Plate thickness | 1 mm |
| Dimension B | 200 mm |

Technical data

| | |
|-------------------------------|------------|
| Bend (angle) | 90° |
| Fastening type | Sash lock |
| Maintain electrical functions | no |
| Suitable for mesh cable tray | no |
| Suitable for cable ladder | yes |
| Suitable for cable tray | yes |
| Change of direction | Horizontal |
| Rustproof steel, pickled | no |
| Hinged | no |