

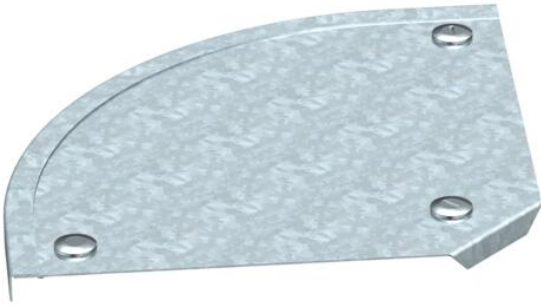
Technical data sheet

Cover for 90° bend FS

Item number: 7129653



Cover for 90° bend with pre-mounted turn buckles.
The cover can be used with fittings of all side heights.



- St** Steel
- FS** Strip galvanized

Master data

| | |
|---------------------|------------------------------|
| Item number | 7129653 |
| Type | DFB 90 300 FS |
| Description 1 | 90° bend cover |
| Description 2 | with turn-buckles, RB 90 300 |
| Manufacturer | OBO |
| Dimension | B300mm |
| Material | Steel |
| Surface | Strip galvanized |
| Surface standard | DIN EN 10346 |
| Smallest sales unit | 1 |
| Unit of quantity | Piece |
| Weight | 100 kg |
| Weight unit | kg/100 pc. |

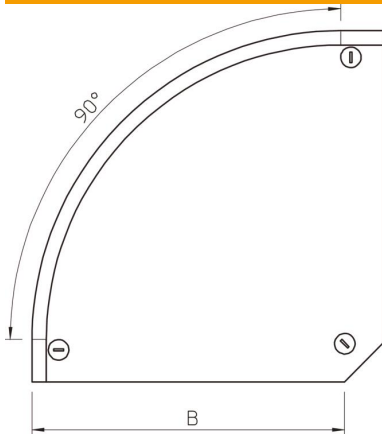
Technical data sheet

Cover for 90° bend FS

Item number: 7129653



Dimensions



| | |
|-----------------|---------|
| Width | 300 mm |
| Width | 12 in |
| Height | 35 mm |
| Plate thickness | 0.04 in |
| Plate thickness | 1 mm |
| Dimension B | 300 mm |
| Dimension H | 15 mm |

Technical data

| | |
|-------------------------------|------------|
| Bend (angle) | 90° |
| Number of turn buckles | 3 St. |
| Fastening type | Sash lock |
| Maintain electrical functions | no |
| Suitable for mesh cable tray | no |
| Suitable for cable ladder | yes |
| Suitable for cable tray | yes |
| Change of direction | Horizontal |
| Rustproof steel, pickled | no |
| Hinged | no |