

Technical data sheet

Knock-in anchor for pipes, in bucket

Item number: 1044909



Knock-in anchor to fix pipes on floors or walls, apply before laying screed or plastering. Fastening by knocking into a pre-drilled hole. Packaging in a bucket.



St Steel

BK Bright

Master data

Item number	1044909
Description 1	Knock-in pipe hook
Description 2	in bucket
Manufacturer	OBO
Dimension	16-20 mm
Material	Steel
Surface	Bright
Surface standard	
Smallest sales unit	500
Unit of quantity	Piece
Weight	0.794 kg
Weight unit	kg/100 pc.

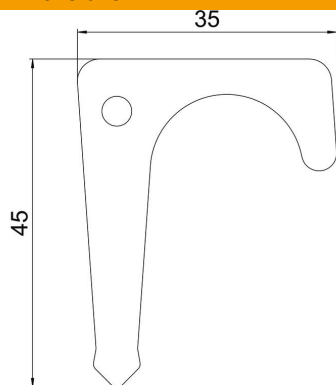
Technical data sheet

Knock-in anchor for pipes, in bucket

Item number: 1044909



Dimensions



Length	44 mm
Width	34 mm
Height	2 mm
Dimension D	20 mm

Technical data

Distance to the wall	no
Number of cables/pipes	1
Version for	Single-lobe
Fastening type	Miscellaneous
Suitable in fire protection area	no
Halogen-free	yes
Plastic-covered	no
Hole size	4 mm
Material thickness	2 mm
Clamping range D, max.	20 mm
Clamping range D, min.	16 mm
UV-resistant	yes