

# Technical data sheet

## Knock-in anchor for pipes, in bucket

Item number: 1044937



Knock-in anchor to fix pipes on floors or walls, apply before laying screed or plastering. Fastening by knocking into a pre-drilled hole. Packaging in a bucket.



CE

**St** Steel

**FS** Strip galvanized

### Master data

|                     |                    |
|---------------------|--------------------|
| Item number         | 1044937            |
| Description 1       | Knock-in pipe hook |
| Description 2       | in bucket          |
| Manufacturer        | OBO                |
| Dimension           | 16-20 mm           |
| Material            | Steel              |
| Surface             | Strip galvanized   |
| Surface standard    | DIN EN 10346       |
| Smallest sales unit | 500                |
| Unit of quantity    | Piece              |
| Weight              | 0.822 kg           |
| Weight unit         | kg/100 pc.         |

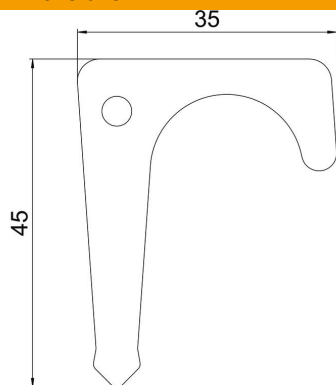
# Technical data sheet

## Knock-in anchor for pipes, in bucket

Item number: 1044937



### Dimensions



|             |       |
|-------------|-------|
| Length      | 44 mm |
| Width       | 34 mm |
| Height      | 2 mm  |
| Dimension D | 20 mm |

### Technical data

|                                  |               |
|----------------------------------|---------------|
| Distance to the wall             | no            |
| Number of cables/pipes           | 1             |
| Version for                      | Single-lobe   |
| Fastening type                   | Miscellaneous |
| Suitable in fire protection area | no            |
| Halogen-free                     | yes           |
| Plastic-covered                  | no            |
| Hole size                        | 4 mm          |
| Material thickness               | 2 mm          |
| Clamping range D, max.           | 20 mm         |
| Clamping range D, min.           | 16 mm         |
| UV-resistant                     | yes           |