

Technical data sheet

Base for FangFix system 16 kg for mounting the isFang tripod

Item number: 5403238



- Edge protection with through hole
- For mounting isFang-3B threaded rod and FangFix concrete block F-FIX-S16



PP Polypropylene

Master data

| | |
|---------------------|-----------------------------|
| Item number | 5403238 |
| Type | F-FIX-B16 3B |
| Description 1 | Basic system without anchor |
| Description 2 | for FangFix |
| Manufacturer | OBO |
| Dimension | 16kg |
| Colour | Black |
| Material | Polypropylene |
| Smallest sales unit | 10 |
| Unit of quantity | Piece |
| Weight | 15.8 kg |
| Weight unit | kg/100 pc. |

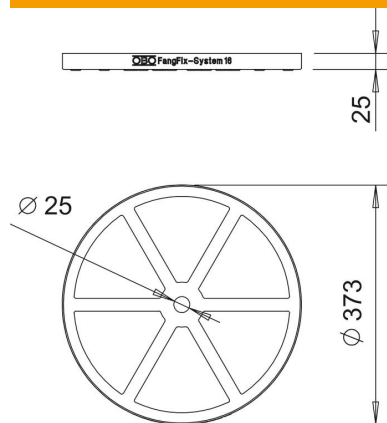
Technical data sheet

Base for FangFix system 16 kg for mounting the isFang tripod

Item number: 5403238



Dimensions



| | |
|------------------|-------|
| Dimension D | 25 mm |
| Dimension d min. | 25 mm |

Technical data

| | |
|----------------------------|---------|
| Version for | Support |
| Nominal size \varnothing | 373 mm |