

# Technical data sheet

## Corner connector A2

Item number: 6016731



Corner connector for the creation of mesh cable tray bend elements.  
Including FRS M6 x 12 bolt with flange nut.



**A2** Stainless steel

**2B** Bright, treated

### Master data

Item number	6016731
Type	GEV 36 A2
Description 1	Corner connector
Description 2	for mesh cable tray
Manufacturer	OBO
Material	Stainless steel
Surface	Bright, treated
Surface standard	
Smallest sales unit	20
Unit of quantity	Piece
Weight	3.04 kg
Weight unit	kg/100 pc.

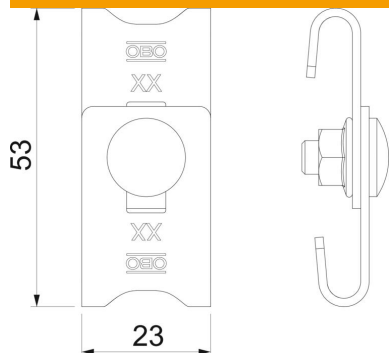
# Technical data sheet

## Corner connector A2

Item number: 6016731



### Dimensions



Dimension	42-54 x 23
Length	56 mm
Width	23 mm
Width	0.91 in
Height	16 mm
Height	0.63 in

### Technical data

Version for	Corner connector
Maintain electrical functions	no
Suitable for mesh cable tray	yes
Suitable for cable ladder	no
Suitable for cable tray	no
Suitable for mesh cable tray wire, max.	4.9 mm
Suitable for mesh cable tray wire, min.	3.9 mm
Rustproof steel, pickled	no
Connection type	Screw connector