

# Technical data sheet

## Centre suspension mesh cable tray A4

Item number: 6015419



Centre suspension including hold-down clamp for mesh cable tray suspensions.



**A4** Stainless steel

**2B** Bright, treated

### Master data

Item number	6015419
Type	GMS 270 A4
Description 1	Centre suspension
Description 2	for mesh cable tray with clamp
Manufacturer	OBO
Dimension	B270mm
Material	Stainless steel
Surface	Bright, treated
Surface standard	
Smallest sales unit	25
Unit of quantity	Piece
Weight	32 kg
Weight unit	kg/100 pc.

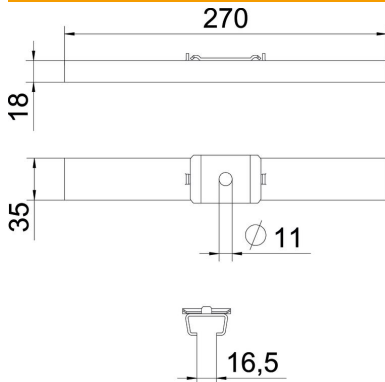
# Technical data sheet

## Centre suspension mesh cable tray A4

Item number: 6015419



### Dimensions



Length	35 mm
Width	270 mm
Height	18 mm
Dimension B	270 mm

### Technical data

Version for	Suspended
Maintain electrical functions	no
for width max.	270 mm
for width min.	270
Suitable for metric threaded rod	10
Hole diameter	11 mm
Adjustable	no