

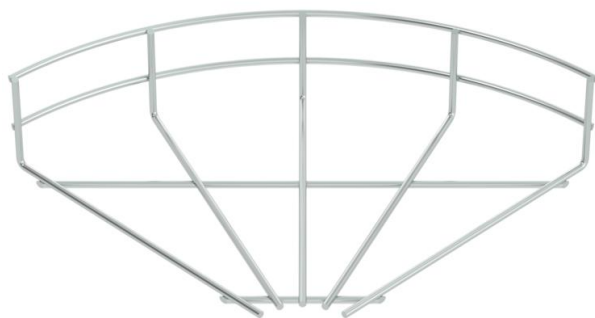
Technical data sheet

90° mesh cable tray bend G

Item number: 6001939



90° bend, horizontal, for all mesh cable trays of 55 mm side height.



St Steel

G Electrogalvanized

Master data

Item number	6001939
Type	GRB 90 520 G
Description 1	90° mesh cable tray bend
Manufacturer	OBO
Dimension	55x200
Material	Steel
Surface	Electrogalvanized
Surface standard	EN ISO 19598 / EN ISO 4042
Smallest sales unit	1
Unit of quantity	Piece
Weight	18.8 kg
Weight unit	kg/100 pc.

Technical data sheet

90° mesh cable tray bend G

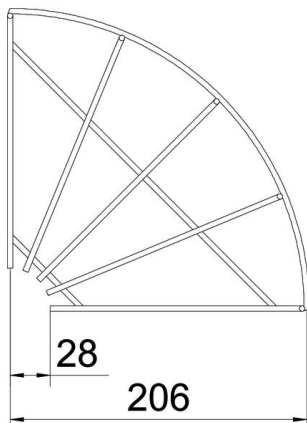
Item number: 6001939



Dimensions



Width	200 mm
Width	7.87 in
Height	55 mm



Technical data

Bend (angle)	90°
Connector version	Without connectors
Type	Horizontal bend
Maintain electrical functions	no
Rustproof steel, pickled	no