

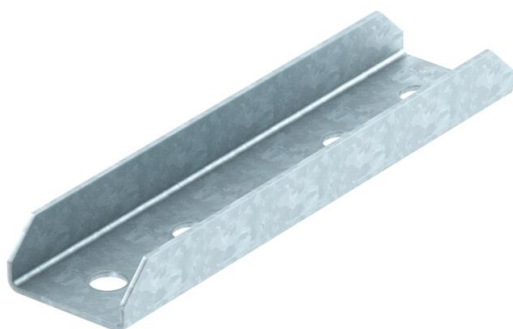
Technical data sheet

Connector FT

Item number: 1124641



Connector gripping from outside with four holes for straight connection of profile rails 41 x 41 mm and 41 x 21 mm.



St Steel

FT Hot-dip galvanized

Master data

Item number	1124641
Type	GVMS 4 ASV FT
Description 1	Support connector
Description 2	U profile, with 4 holes
Manufacturer	OBO
Dimension	200x48x30
Material	Steel
Surface	Hot-dip galvanized
Surface standard	DIN EN ISO 1461
Smallest sales unit	10
Unit of quantity	Piece
Weight	24.9 kg
Weight unit	kg/100 pc.

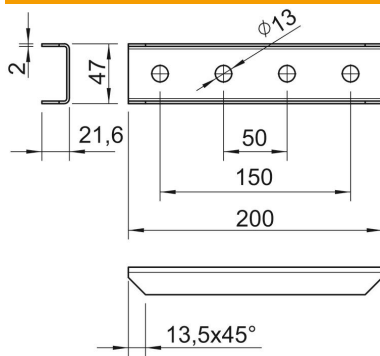
Technical data sheet

Connector FT

Item number: 1124641



Dimensions



Length	200 mm
Width	47 mm
Height	2 mm

Technical data

Version for	With continuous perforation 13 mm
Version for	External connector
Suitable for profile shapes	C profile
Hole size	13 mm
Material thickness	2 mm
With screw accessories	no
Rustproof steel, pickled	no