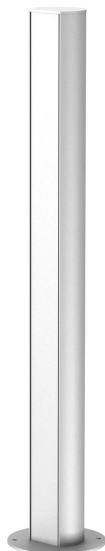


Technical data sheet

Service pole, type ISSRHSM45

Item number: 6290091



ISS aluminium service pole with a 45 mm system opening.

Set consisting of:

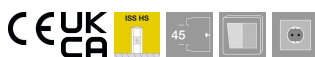
1 one-compartment pole with stand

Total length: 675 mm

1 aluminium cover

Length: 675 mm

The design of this ISS service pole is based on an extremely slender, round aluminium profile, which has a smooth cover of the Rapid 45 device installation trunking series on the front side. The 45 mm system opening is suitable for direct acceptance of Modul 45® switching and connection devices. The installation compartment is theoretically sufficient for 14 Modul 45® devices. If Modul 45connect® is used or in the case of cabling requiring a lot of space, the number of the max. installable devices is reduced. There is the option of installing a partition, type 2371/40 (6023096).



Alu Aluminium

EL Anodised

Master data

| | |
|---------------------|--------------|
| Item number | 6290091 |
| Type | ISSRHSM45EL |
| Description 1 | Service pole |
| Description 2 | floor |
| Manufacturer | OBO |
| Dimension | 675x70x60 |
| Material | Aluminium |
| Surface | Anodised |
| Surface standard | |
| Smallest sales unit | 1 |
| Unit of quantity | Piece |
| Weight | 135 kg |
| Weight unit | kg/100 pc. |

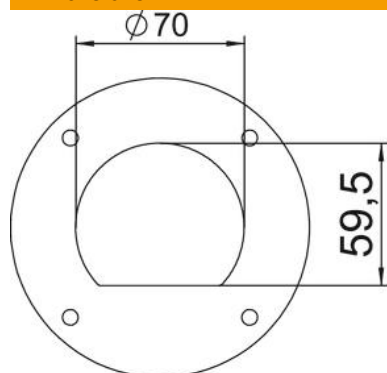
Technical data sheet

Service pole, type ISSRHSM45

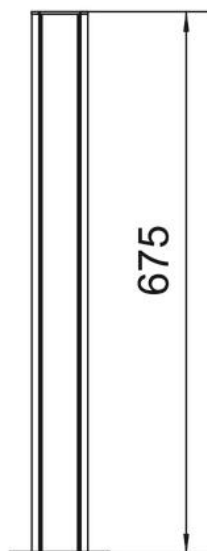
Item number: 6290091



Dimensions



| | |
|--------|---------|
| Length | 675 mm |
| Width | 70 mm |
| Height | 59.5 mm |



Technical data

| | |
|-------------------------------|--------------|
| Number of usable covers | 1 |
| Number of compartments | 1 St. |
| Version for | Single-sided |
| Fastening type | Stand |
| Floor mounting | yes |
| Ceiling mounting | no |
| Continuous profile | yes |
| Halogen-free | yes |
| Cable entry | Bottom |
| Cover width | 45 mm |
| Changes according to location | no |
| Pole shape | Round |

Technical data sheet

Service pole, type ISSRHSM45

Item number: 6290091



Technical data

| | |
|-------------------|--------|
| Pole height, min. | 675 mm |
| Adjustable | no |
| Pre-wired | no |