

# Technical data sheet

## Adapter plate 45°

Item number: 6346758



Adapter plate with slots for universal fastening to vertical steel girders and walls. Wall and support brackets are screwed to the adapter plate at a 45° angle. To support cable support systems in building corners and jumps. The hexagonal bolts, type SKS 12 x 40 GF, are used to fasten the brackets to the adapter plate. Please order the appropriate quantity.



**St** Steel

**FT** Hot-dip galvanised

### Master data

Item number	6346758
Type	KA-E 45 FT
Description 1	45° adapter plate
Description 2	for wall and support bracket
Manufacturer	OBO
Dimension	400x106
Material	Steel
Surface	Hot-dip galvanised
Surface standard	DIN EN ISO 1461
Smallest sales unit	1
Unit of quantity	Piece
Weight	618 kg
Weight unit	kg/100 pc.

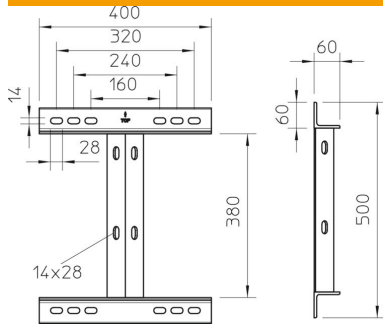
# Technical data sheet

## Adapter plate 45°

Item number: 6346758



### Dimensions



Length	60 mm
Width	400 mm
Height	500 mm
Dimension B	400 mm
Dimension H	500 mm
Dimension L	60 mm

### Adapter plate, bracket load

Anchor type	Max. total load F in kN KA-E 45 with bracket:		
	AW 30	AW 55	AW 80
BZ 12-15-35/110	3.00	5.50	8.00

Max. total load F = cable weight + cable tray + bracket. The load capacity values increase considerably when used in uncracked concrete. Observe the load capacity of the brackets (diagram) and the installation conditions of the DIBt approval (anchors). Mounting information: When using this component, please order a bracket which is 500 mm longer than the width of the tray/ladder.