

Technical data sheet

Head plate, variable

Item number: 6348106



Variable head plate, adjustable in straight direction, for installation on IS 8 support.
Including appropriate fastening material.

Limit the length of the support to max. 2,000 mm.



St Steel

FT Hot-dip galvanised

Master data

Item number	6348106
Type	KI 8 VQP FT
Description 1	Head plate
Description 2	IS8 supp. variable lengthways
Manufacturer	OBO
Dimension	200mm
Material	Steel
Surface	Hot-dip galvanised
Surface standard	DIN EN ISO 1461
Smallest sales unit	1
Unit of quantity	Piece
Weight	219 kg
Weight unit	kg/100 pc.

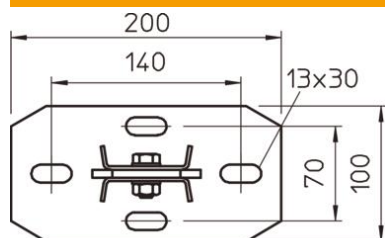
Technical data sheet

Head plate, variable

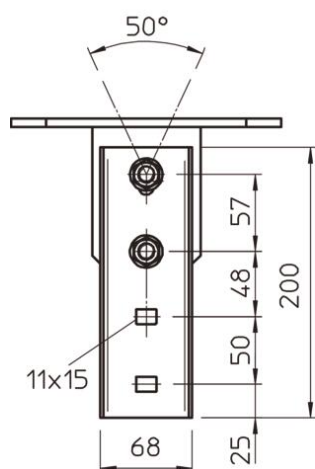
Item number: 6348106



Dimensions



Length	200 mm
Width	100 mm
Height	200 mm



Technical data

Version for	Screw head plate
Suitable for ceiling fastening	yes
Suitable for panel fastening	no
Suitable for profile shapes	I profile
Rustproof steel, pickled	no