

# Technical data sheet

## Clamping angle KWS FT

Item number: 6355234



Clamping angle, with hexagonal bolt, type KWS, for direct fixing of constructions to steel girder flanges.  
Choose the clamping angle according to the thickness of the flange.



CE

**St** Steel

**FT** Hot-dip galvanised

### Master data

Item number	6355234
Type	KWS 15 FT
Description 1	Clamping profile
Description 2	with hexagon screw, h = 15 mm
Manufacturer	OBO
Dimension	60x50
Material	Steel
Surface	Hot-dip galvanised
Surface standard	DIN EN ISO 1461
Smallest sales unit	10
Unit of quantity	Pair
Weight	65.2 kg
Weight unit	kg/100 pairs

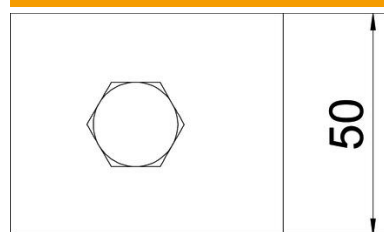
# Technical data sheet

## Clamping angle KWS FT

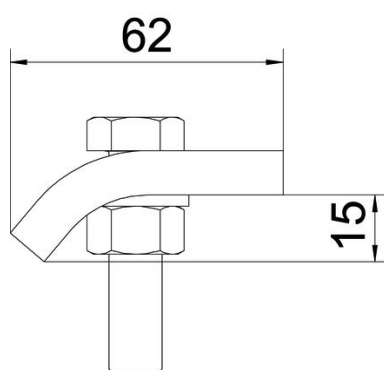
Item number: 6355234



### Dimensions



Height 15 mm



### Technical data

F in kN	5.7 kN
Suitable for flange thickness, max.	18 mm
Suitable for flange thickness, min.	12 mm
Thread metric	12
Bolt	M12 x 50