

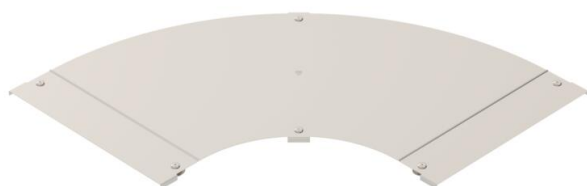
Technical data sheet

Cover for 90° bend A2

Item number: 6226056



Cover with turn buckles for covering 90° cable ladder bends with welded rungs.



A2 Stainless steel

2B Bright, treated

Master data

| | |
|---------------------|------------------|
| Item number | 6226056 |
| Type | LBD 90 500 R3 A2 |
| Description 1 | 90° bend cover |
| Description 2 | with turn buckle |
| Manufacturer | OBO |
| Dimension | B500 |
| Material | Stainless steel |
| Surface | Bright, treated |
| Surface standard | |
| Smallest sales unit | 1 |
| Unit of quantity | Piece |
| Weight | 568 kg |
| Weight unit | kg/100 pc. |

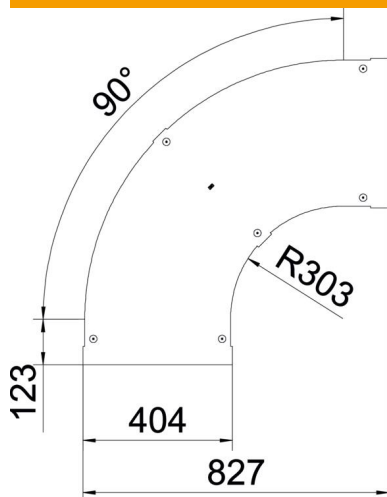
Technical data sheet

Cover for 90° bend A2

Item number: 6226056



Dimensions



| | |
|-----------------|---------|
| Width | 500 mm |
| Plate thickness | 1.25 mm |
| Dimension B | 500 mm |

Technical data

| | |
|-------------------------------|------------|
| Bend (angle) | 90° |
| Fastening type | Sash lock |
| Maintain electrical functions | no |
| Suitable for mesh cable tray | no |
| Suitable for cable ladder | yes |
| Suitable for cable tray | no |
| Change of direction | Horizontal |
| Rustproof steel, pickled | no |
| Hinged | no |