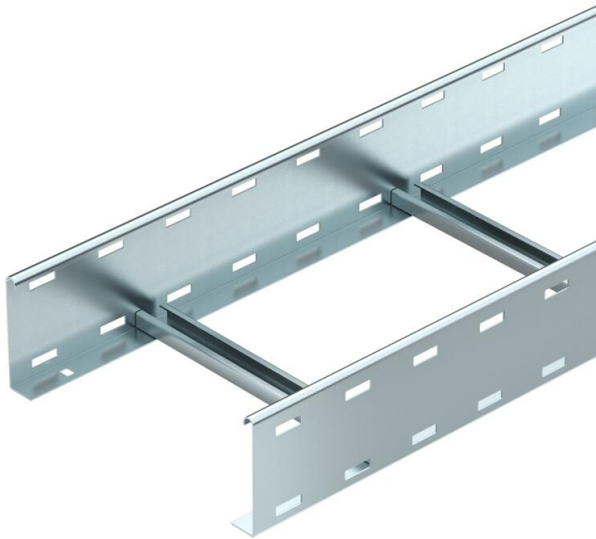


Technical data sheet

Cable ladder LG 110, 3 m VS FS

Item number: 6216416



Cable ladder with perforated side rail of side height 110 mm with riveted C profile rungs, open in an upwards direction. The cable ladder is shipped folded up.

You can find the appropriate type 2056 clamp clip in the vertical ladder systems section. Magnetic shield insulation without cover 10 dB, with cover 15 dB.



St Steel

FS Strip galvanized

Master data

| | |
|---------------------|--------------------------|
| Item number | 6216416 |
| Description 1 | Cable ladder |
| Description 2 | perforated, with VS rung |
| Manufacturer | OBO |
| Dimension | 110x600x3000 |
| Material | Steel |
| Surface | Strip galvanized |
| Surface standard | DIN EN 10346 |
| Smallest sales unit | 3 |
| Unit of quantity | Metre |
| Weight | 462 kg |
| Weight unit | kg/100 m |

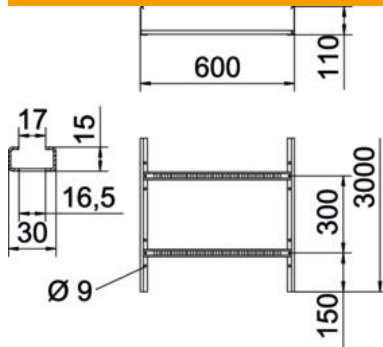
Technical data sheet

Cable ladder LG 110, 3 m VS FS

Item number: 6216416



Dimensions



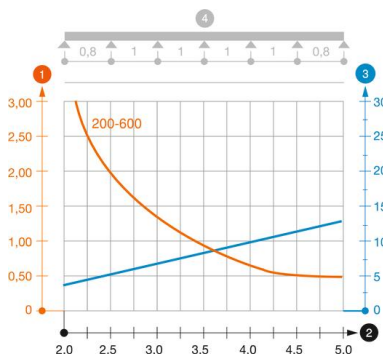
| | |
|---------------------|--------------|
| Dimension | 110x600x3000 |
| Length | 3,000 mm |
| Length | 3,000 ft |
| Width | 600 mm |
| Height | 110 mm |
| Dimension B | 600 mm |
| Rung slot dimension | 16.50 |

Technical data

| | |
|-------------------------------|-----------------------|
| Version of the rungs | Profile perforated |
| Side rail version | Flat profile |
| Fastening of rung | Blind riveted |
| Maintain electrical functions | no |
| Usable cross-section | 568 cm ² |
| Usable cross-section | 56800 mm ² |
| Rustproof steel, pickled | no |
| Side perforation | yes |
| Rung distance | 300 mm |
| Wide-span version | no |
| Rail thickness | 1.5 mm |

Loads

| | |
|-----------------------------------|-----------|
| Insertable support spacings, min. | 2 m |
| Insertable support spacings, max. | 5 m |
| Support spacing 2.0 m | 3.1 kN/m |
| Support spacing 2.5 m | 2 kN/m |
| Support spacing 3.0 m | 1.4 kN/m |
| Support spacing 3.5 m | 0.9 kN/m |
| Support spacing 4.0 m | 0.65 kN/m |
| Support spacing 4.5 m | 0.5 kN/m |
| Support spacing 5.0 m | 0.5 kN/m |



Load diagram, cable ladder, type LG 110 VS

- 1 Permitted cable tray/ladder load in kN/m without man load
- 2 Support width in m
- 3 Rail bend in mm at permitted kN/m
- 4 Load scheme during testing
- Load curve with cable tray/ladder width in mm
- Strut bend curve according to support width