

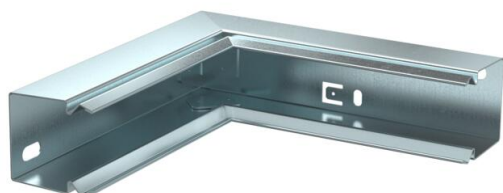
Technical data sheet

Internal corner, for cable trunking type LKM 40060

Item number: 6247660



Internal corner for changing the direction of LKM ducts.
Equipotential bonding without additional aids, between base and cover



St Steel

FS Strip galvanized

Master data

Item number	6247660
Type	LKM I40060FS
Description 1	Internal corner
Manufacturer	OBO
Dimension	40x60mm
Material	Steel
Surface	Strip galvanized
Surface standard	DIN EN 10346
Smallest sales unit	1
Unit of quantity	Piece
Weight	31.4 kg
Weight unit	kg/100 pc.

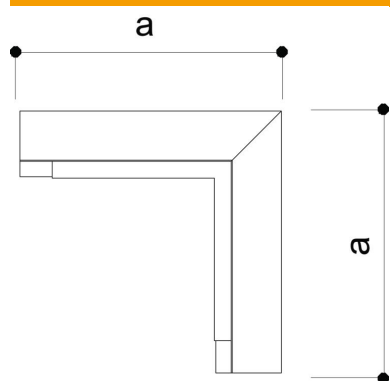
Technical data sheet

Internal corner, for cable trunking type LKM 40060

Item number: 6247660



Dimensions



Length	160 mm
Width	60 mm
Height	44 mm
Dimension a	160 mm

Technical data

Version for	Base
Fastening type	Base perforation
Maintain electrical functions	no
Halogen-free	yes
Protection rating	IP30
Protective film	no
Protection rating IK code	IK10
Permitted temperature range, max.	90 °C
Permitted temperature range, min.	-5 °C
Angle range, min.	90 mm