

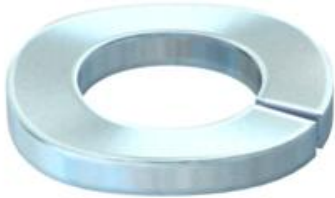
Technical data sheet

Lock washer

Item number: 3405125



Lock washer M12



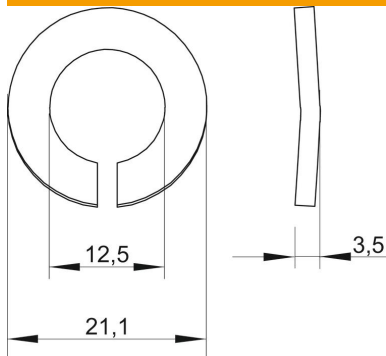
St Steel

G Electrogalvanized

Master data

Item number	3405125
Type	LWS M12 G
Description 1	Lock washer
Manufacturer	OBO
Dimension	M12
Material	Steel
Surface	Electrogalvanized
Surface standard	EN ISO 19598 / EN ISO 4042
Smallest sales unit	100
Unit of quantity	Piece
Weight	0.32 kg
Weight unit	kg/100 pc.

Dimensions



Height	3.5 mm
Plate thickness	0.14 in
Dimension D	0.83 in
Dimension d	0.49 in
Dimension d	12.5 mm
Dimension d max.	21.1 mm
Dimension d min.	21.1 mm
Dimension h	3.5 mm

Technical data

Thread	M12
Inner diameter	0.49 mm
Lock washer version	Ribbed

Technical data sheet

Lock washer

Item number: 3405125

