

Technical data sheet

Centre suspension, cable ladder

Item number: 6358659



Centre suspension for cable ladders.
On filling, please ensure an even load distribution (no one-sided filling).

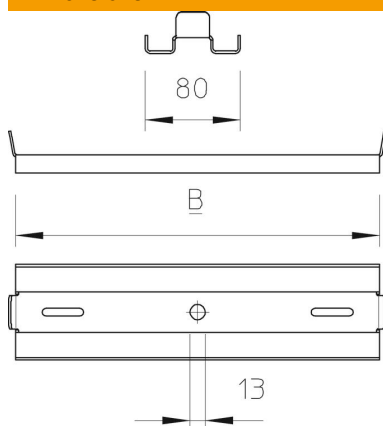


| | |
|-----------|--------------------|
| St | Steel |
| FT | Hot-dip galvanised |

Master data

| | |
|---------------------|--------------------|
| Item number | 6358659 |
| Description 1 | Centre suspension |
| Description 2 | for cable ladder |
| Manufacturer | OBO |
| Dimension | B200mm |
| Material | Steel |
| Surface | Hot-dip galvanised |
| Surface standard | DIN EN ISO 1461 |
| Smallest sales unit | 1 |
| Unit of quantity | Piece |
| Weight | 41.9 kg |
| Weight unit | kg/100 pc. |

Dimensions



| | |
|--------|--------|
| Length | 80 mm |
| Width | 200 mm |
| Height | 15 mm |

Technical data sheet

Centre suspension, cable ladder

Item number: 6358659



Technical data

| Version for | Suspended |
|----------------------------------|-----------|
| Maintain electrical functions | no |
| Suitable for metric threaded rod | 12 |
| Suitable for mesh cable tray | no |
| Suitable for cable ladder | yes |
| Suitable for cable tray | no |
| Tray fastening | Screw-on |
| Adjustable | no |