

# Technical data sheet

## MS4142 mounting rail, slot 22 mm, double, FS, perforated

Item number: 1122947



Heavy-duty profile/mounting rail with continuous perforation in base, slot width 22 mm. Double version, i.e. two profile rails are interconnected on the base (clinched).



**St** Steel

**FS** Strip galvanized

### Master data

Item number	1122947
Type	MS4142P3000FS
Description 1	Profile rail
Description 2	perforated, slot 22mm
Manufacturer	OBO
Dimension	3000x41x42
Material	Steel
Surface	Strip galvanized
Surface standard	DIN EN 10346
Smallest sales unit	3
Unit of quantity	Metre
Weight	303 kg
Weight unit	kg/100 m

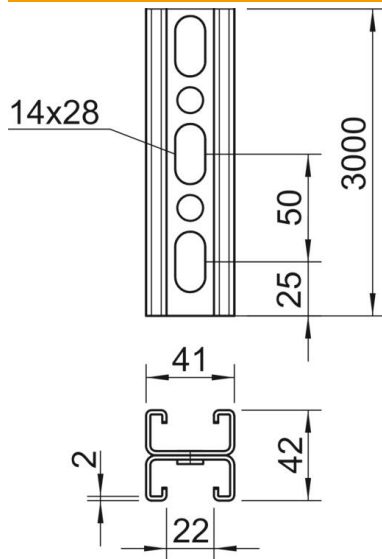
# Technical data sheet

MS4142 mounting rail, slot 22 mm, double, FS, perforated

Item number: 1122947



## Dimensions



Length	3,000 mm
Width	41 mm
Height	42 mm
Dimension L	3,000 mm

## Technical data

Breakable	no
Type of perforation	Perforated bar
Version for	Double profile
Maintain electrical functions	no
Hole size	14x28 mm
Material thickness	2 mm
With tothing	yes
Profile shape	C profile
Slot width	22 mm
Static value A	3.3 cm <sup>2</sup>
Static value Iy	5.38 cm
Static value Iz	9.02 cm
Static value Wy	1.28 cm <sup>2</sup>
Static value Wz	0.25 cm <sup>2</sup>