

Technical data sheet

MS4182 mounting rail, slot 22 mm, double, FS, perforated

Item number: 1122676



Heavy-duty profile/mounting rail with continuous perforation in base, slot width 22 mm. Double version, i.e. two profile rails are interconnected on the base (clinched).



St Steel

FS Strip galvanized

Master data

| | |
|---------------------|-----------------------|
| Item number | 1122676 |
| Type | MS4182P3000FS |
| Description 1 | Profile rail |
| Description 2 | perforated, slot 22mm |
| Manufacturer | OBO |
| Dimension | 3000x41x82 |
| Material | Steel |
| Surface | Strip galvanized |
| Surface standard | DIN EN 10346 |
| Smallest sales unit | 3 |
| Unit of quantity | Metre |
| Weight | 402.2 kg |
| Weight unit | kg/100 m |

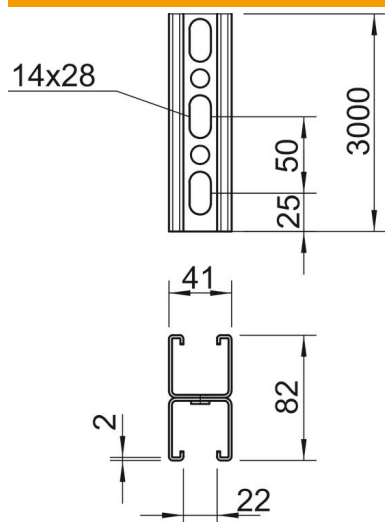
Technical data sheet

MS4182 mounting rail, slot 22 mm, double, FS, perforated

Item number: 1122676



Dimensions



| | |
|-------------|----------|
| Length | 3,000 mm |
| Width | 41 mm |
| Height | 82 mm |
| Dimension L | 3,000 mm |

Technical data

| | |
|-------------------------------|----------------------|
| Breakable | no |
| Type of perforation | Perforated bar |
| Version for | Double profile |
| Maintain electrical functions | no |
| Hole size | 14x28 mm |
| Material thickness | 2 mm |
| With tothing | yes |
| Profile shape | C profile |
| Slot width | 22 mm |
| Static value A | 4.86 cm ² |
| Static value Iy | 30.69 cm |
| Static value Iz | 15.11 cm |
| Static value Wy | 2.51 cm ² |
| Static value Wz | 2.69 cm ² |