

Technical data sheet

Hammer-head bolt with spring FT

Item number: 1148392



Hammer-head bolt with spring for use with MS4121 and MS4141 profile rails



St Steel

FT Hot-dip galvanised

Master data

Item number	1148392
Type	MS41HBF M12x30FT
Description 1	Hammerhead screw with spring
Description 2	for profile rail MS4121/4141
Manufacturer	OBO
Dimension	M12x30mm
Material	Steel
Surface	Hot-dip galvanised
Surface standard	DIN EN ISO 1461
Smallest sales unit	50
Unit of quantity	Piece
Weight	10 kg
Weight unit	kg/100 pc.

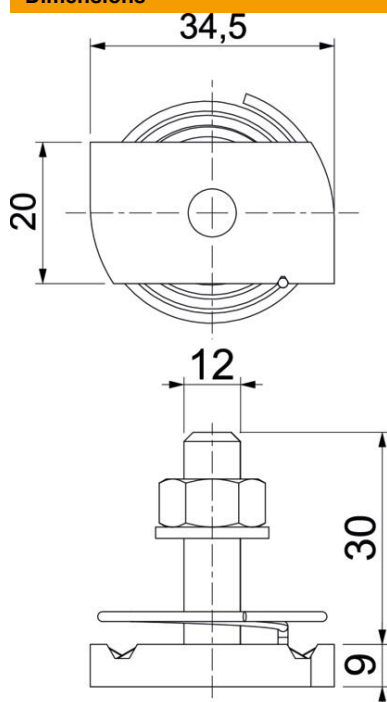
Technical data sheet

Hammer-head bolt with spring FT

Item number: 1148392



Dimensions



Length	34.5 mm
Width	20 mm
Height	9 mm
Dimension H	9 mm
Dimension L	30 mm

Technical data

Torque	27 Nm
Suitable for mounting rail	yes
Thread	M 12 x 30
Washer Ø	24 mm