

Technical data sheet

Hook-head screw ZL

Item number: 1148222



Hook-head screw for use with MS5030 profile rail



St Steel

ZL Zinc slat

Master data

Item number	1148222
Type	MS50HB M10x60 ZL
Description 1	Hook-head screw
Description 2	for profile rail MS5030
Manufacturer	OBO
Dimension	M10x60mm
Material	Steel
Surface	Zinc slat
Surface standard	
Smallest sales unit	25
Unit of quantity	Piece
Weight	9.45 kg
Weight unit	kg/100 pc.

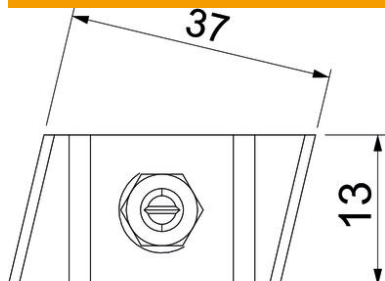
Technical data sheet

Hook-head screw ZL

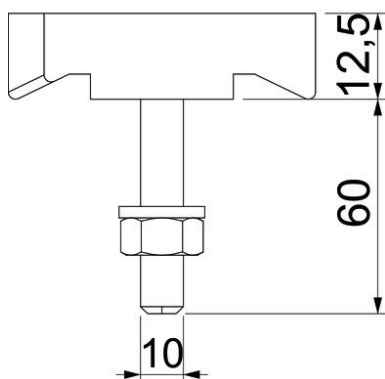
Item number: 1148222



Dimensions



Length	43.3 mm
Width	13 mm
Height	10 mm



Technical data

Suitable for mounting rail	yes
Thread	M10x60mm
Thread metric	10