

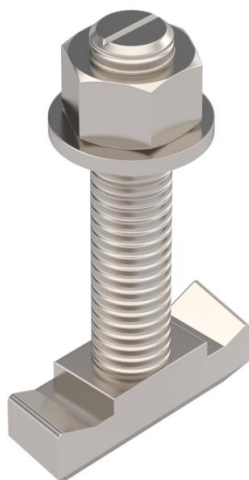
Technical data sheet

Hook-head screw A4

Item number: 1148280



Hook-head screw for use with MS5030 profile rail



A4 Stainless steel

2B Bright, treated

Master data

| | |
|---------------------|-------------------------|
| Item number | 1148280 |
| Type | MS50HB M12x60 A4 |
| Description 1 | Hook-head screw |
| Description 2 | for profile rail MS5030 |
| Manufacturer | OBO |
| Dimension | M12x60mm |
| Material | Stainless steel |
| Surface | Bright, treated |
| Surface standard | |
| Smallest sales unit | 25 |
| Unit of quantity | Piece |
| Weight | 11.65 kg |
| Weight unit | kg/100 pc. |

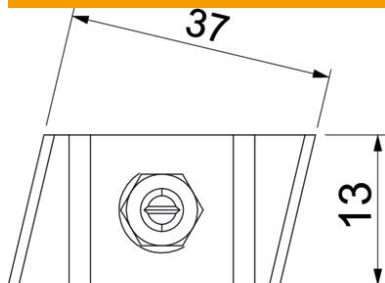
Technical data sheet

Hook-head screw A4

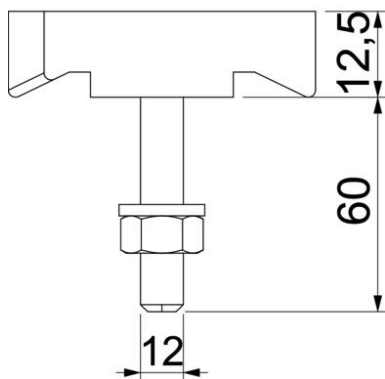
Item number: 1148280



Dimensions



| | |
|--------|---------|
| Length | 43.3 mm |
| Width | 13 mm |
| Height | 10 mm |



Technical data

| | |
|----------------------------|----------|
| Suitable for mounting rail | yes |
| Thread | M12x60mm |
| Thread metric | 12 |