

Technical data sheet

Aluminium empty housing Mx12, powder coated

Item number: 2011312



Robust aluminium empty housing for mechanical engineering and automation technology.

The OBO Mx series' excellent mechanical and thermal features make it most suitable for extreme demands in many different areas. It is therefore also best suited for applications in industry, ports and shipbuilding, as well as in the agricultural sector.

The products protect the electrical installation against high-grade strains. They withstand both extreme cold and heat as well as vandalism and impact on roads, railways or in tunnels.

With an IP66 protection class, they are optimally protected against the intrusion of dust and water.

The aluminium housings are powder-coated (RAL 7001) and are delivered with a cover including stainless steel screws, a seal and two or four earthing screws. Temperature: -40°C to +125°C



AIG Cast aluminium

P Powder-coated

Master data

Item number	2011312
Type	Mx 120805 SGR
Description 1	Aluminium empty housing
Manufacturer	OBO
Dimension	125x80x57
Colour	Silver grey; RAL 7001
Material	Cast aluminium
Surface	Powder-coated
Surface standard	
Smallest sales unit	1
Unit of quantity	Piece
Weight	50 kg
Weight unit	kg/100 pc.

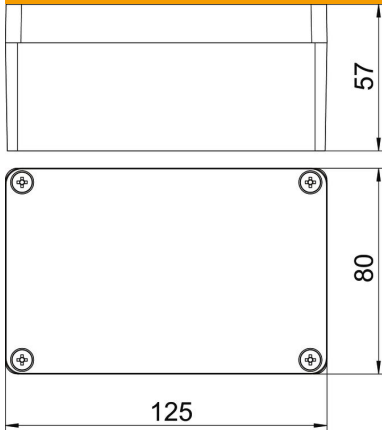
Technical data sheet

Aluminium empty housing Mx12, powder coated



Item number: 2011312

Dimensions



Length	125 mm
Width	80 mm
Height	57 mm

Technical data

Extension option	yes
Version, small distributor cover	Closed
Cover fastening	Screwed
Shape	Rectangular
Suitable for outdoor use	yes
Suitable for lightning protection	no
Clear internal dimensions	115.5x70.5x51 mm
with lid	yes
With mounting plate	no
Protection rating	IP66
Permitted temperature range, max.	125 °C
Permitted temperature range, min.	-40 °C
Weatherproof	yes