

Technical data sheet

PYROLINE® Con D PLC fire protection duct EI90

Item number: 7215810



Fire protection duct made of water and frost-resistant fibreglass lightweight concrete of material class A1 according to EN 13501-1 for fireproof routing of cables in escape and rescue routes. EI60 classification as installation duct according to EN 13501-2 on the basis of tests according to EN 1366-5. When there is an internal fire load (cable fire), the duct prevents the spread of fire from one fire section to another.

Mounting of the duct directly on walls or under ceilings.

Including countersunk head screws and sealing strip.

Including countersunk head screws and sealing strip.



Fibreglass lightweight concrete

Master data

Item number	7215810
Type	PLCD D090810
Description 1	Fire protection duct EI90
Description 2	Direct installation
Manufacturer	OBO
Dimension	1000x100x80
Colour	Grey
Material	Fibreglass lightweight concrete
Smallest sales unit	1
Unit of quantity	Metre
Weight	1370 kg
Weight unit	kg/100 m

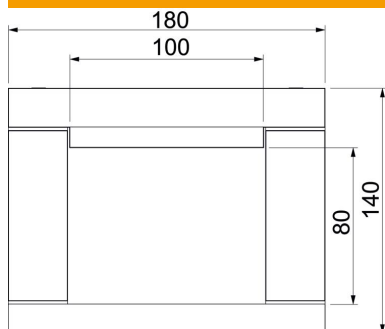
Technical data sheet

PYROLINE® Con D PLC fire protection duct EI90

Item number: 7215810



Dimensions



Length	1,000 mm
Dimension B	180 mm
Dimension b	100 mm
Dimension h	80 mm
Dimension H	140 mm

Technical data

Number of flammable sides	3
Cover fastening	Screw
Classification EI - installation duct	90
With perforation	no
Jacketing	Without
Material of the insulation	Glass-fibre lightweight concrete