

Technical data sheet

90° Magic bend 60 A2

Item number: 6041192



90° bend with quick connector system. For all cable tray types of 60 mm side height.



A2 Stainless steel

2B Bright, treated

Master data

Item number	6041192
Description 1	90° bend
Description 2	with quick connector
Manufacturer	OBO
Dimension	60x600
Material	Stainless steel
Surface	Bright, treated
Surface standard	
Smallest sales unit	1
Unit of quantity	Piece
Weight	493 kg
Weight unit	kg/100 pc.

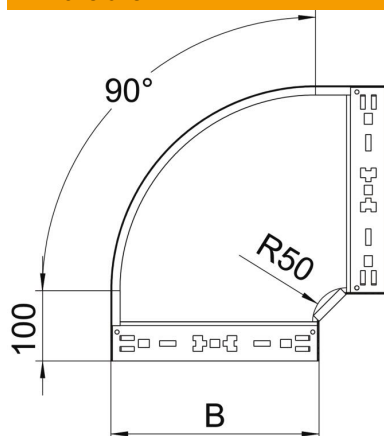
Technical data sheet

90° Magic bend 60 A2

Item number: 6041192



Dimensions



Width	600 mm
Height	60 mm
Plate thickness	1.25 mm
Dimension B	600 mm

Technical data

Bend (angle)	90°
Connector version	Integrated connector
Maintain electrical functions	no
Mounting perforation in base	no
NATO hole pattern	no
Change of direction	Horizontal
Rustproof steel, pickled	no
Side perforation	no
Wide-span version	no
Type of connector, cable support system	Click fastening