

Technical data sheet

90° Magic bend 85 FT

Item number: 6041516



90° bend with quick connector system. For all cable tray types of 85 mm side height.



St Steel

FT Hot-dip galvanised

Master data

| | |
|---------------------|----------------------|
| Item number | 6041516 |
| Type | RBM 90 840 FT |
| Description 1 | 90° bend |
| Description 2 | with quick connector |
| Manufacturer | OBO |
| Dimension | 85x400 |
| Material | Steel |
| Surface | Hot-dip galvanised |
| Surface standard | DIN EN ISO 1461 |
| Smallest sales unit | 1 |
| Unit of quantity | Piece |
| Weight | 321.4 kg |
| Weight unit | kg/100 pc. |

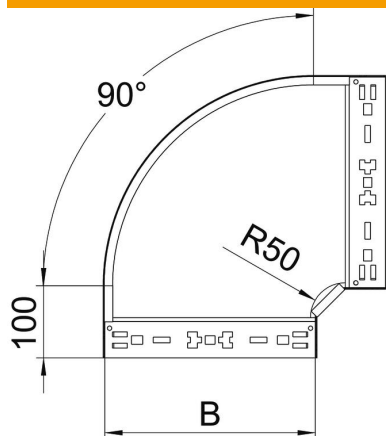
Technical data sheet

90° Magic bend 85 FT

Item number: 6041516



Dimensions



| | |
|-----------------|---------|
| Width | 400 mm |
| Height | 85 mm |
| Plate thickness | 1.25 mm |
| Dimension B | 400 mm |

Technical data

| | |
|---|----------------------|
| Bend (angle) | 90° |
| Connector version | Integrated connector |
| Maintain electrical functions | no |
| Mounting perforation in base | no |
| NATO hole pattern | no |
| Change of direction | Horizontal |
| Rustproof steel, pickled | no |
| Side perforation | no |
| Wide-span version | no |
| Type of connector, cable support system | Click fastening |